

TS315B

12" Sliding Table Saw

Not every workshop needs a large panel saw dominating the workspace, but a compact, fully featured saw is a tempting alternative. The TS315B is just that, having a robustly constructed chassis in heavy gauge steel and generous grey cast iron table with real panel saw trunnion, that gives stability and vibration free running.



The saw unit with dual shaft slides vertically along prismatic guides. Give extra support for stability and lack of vibration.



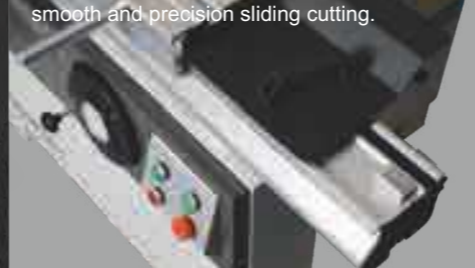
Large section profile cross cutting fence with reversible fence stops



Reversible saw fence for folding away table when it needs to be free for sawing large panels



Ball bearing sliding along tempered and ground prismatic guides guarantees smooth and precision sliding cutting.



WOODFAST

Specifications

Main Blade Diameter	315mm
Main Blade Speed	4000rpm
Scoring Blade Diameter	120mm
Scoring Blade Speed	8000rpm
Blade Tilt	0-45°
Max Depth of Cut @ 45°	67mm
Max Depth of Cut @ 90°	95mm
Max Rip Capacity	
• Standard	900mm
◦ Option	1250mm
Sliding Beam Size	
• Standard	1200 × 360mm
◦ Option	1600 × 360mm
Sliding Beam Cutting Capacity	
• Standard	1250mm
◦ Option	1600mm
Table Size	800 × 530mm
Dust Extraction Outlet	120mm
Main Motor Output	
• 3*400V	2.5kW S1
◦ 1*230V	2.5kW S1
Scoring Motor Output	0.55kW S1
Net/Gross Weight	400/460kgs
Package Size	1300 × 1000 × 1100mm
Container Load Q'ty	40pcs/40'

• Standard equipment ◦ Option equipment

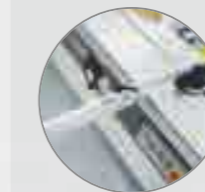
Accessories



"CE" Type overhead saw blade guard
The dia of the exhaust is 80mm

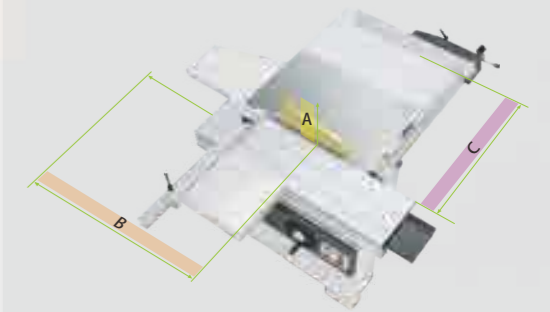


Sliding carriage



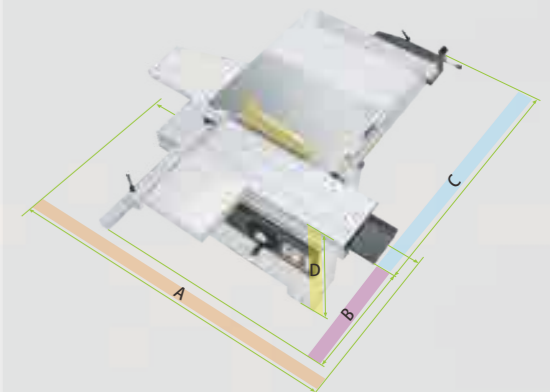
Angel cutting device

Dimensions



Key Capacity

A Max Depth of Cut	95mm
B Sliding Beam Cutting Capacity	1250mm
C Max Rip Capacity	900mm



Layout

A	2550mm
B	920mm
C	1110mm
D	860mm